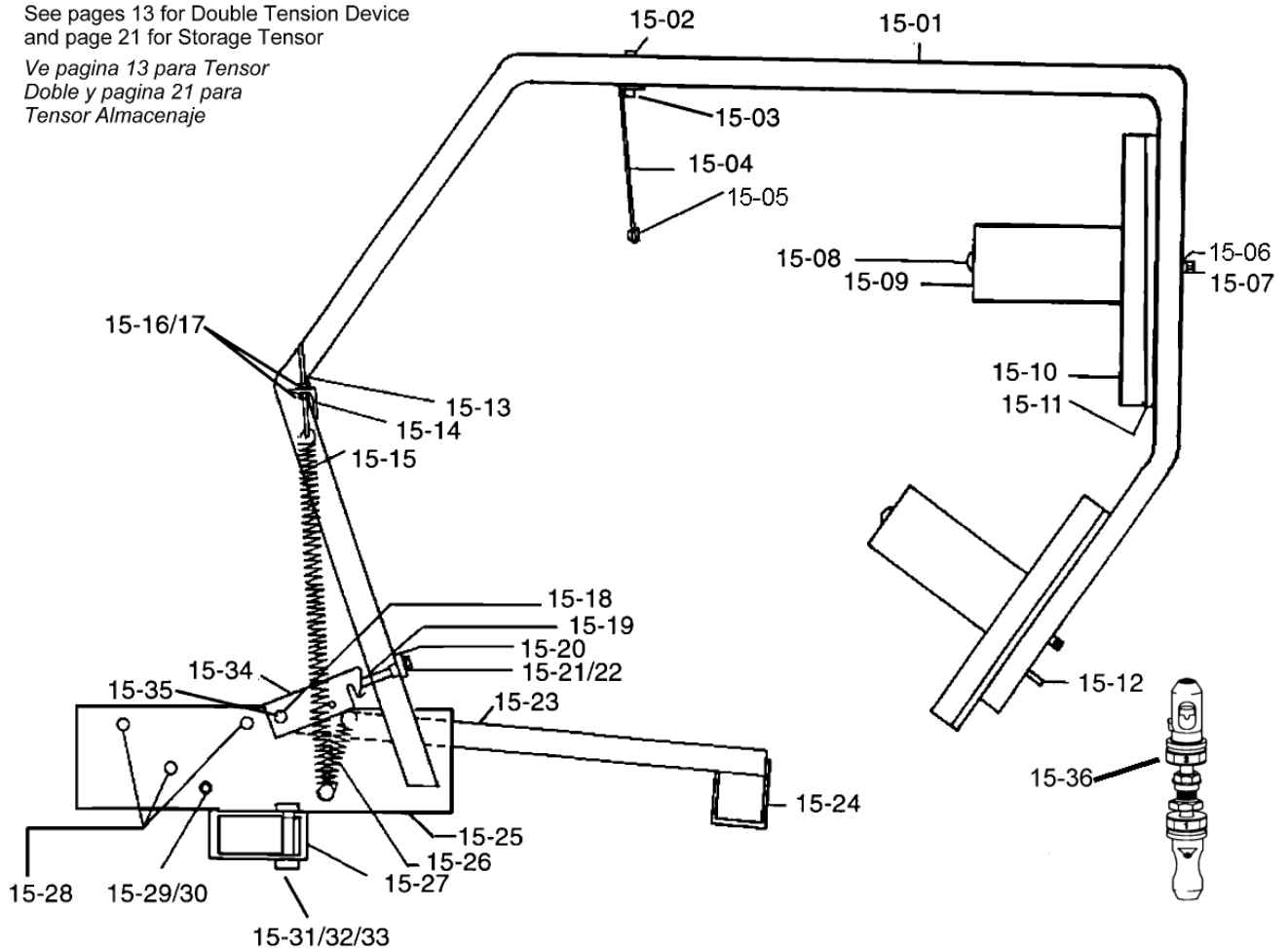


See pages 13 for Double Tension Device
and page 21 for Storage Tensor

Ve pagina 13 para Tensor
Doble y pagina 21 para
Tensor Almacenaje



**EPIC "C" STYLE OVERHEAD CREEL ASSEMBLIES
FOR VERDOL, MUSCHAMP, HAMEL CABLERS**

*CONJUNTO DE FILETA, TIPO "C" EPIC, PARA FILETAS
DE CABLEDORAS VERDOL MUSCHAMP Y HAMEL*

Epic Enterprises, Inc., P.O. Box 979, Southern Pines, NC 28388-0979 USA

Telephone Toll Free 800-648-7273 or 910-692-5441 Outside USA

Fax Toll Free 888-692-4147 or 910-692-4147 Outside USA

Website: <http://www.epicenterprises.com> E-Mail: epic@epicenterprises.com



Position	OEM Ref. Nos.	Epic No.	Description
VE15-01	Not Applicable	MV-1021CR	C Creel Package Arm Assembly including Spring Bracket (Welded on Arm), U-Bolt Plate and Oval Handle <i>Conjunto de Brazg Cartela, Placa Y Asa para Fileta "C"</i>
VE15-02	A-18355		Screw, Hex Head Cap, 3/8"X1.25" <i>Tornillo Hexagonal, 3/8-3/8" X 1.25"</i>
VE15-03			Nylon Insert Lock Nut, 3/8" <i>Tuerca de Segurifad con Inserto de Nylon</i>
VE15-04	Not Applicable	MV-1027CR	Holder, C Creel Yarn Guide <i>Cartela para Guiahilo de Fileta "C"</i>
VE15-05	588034A	EE304580	Eyelet, Small Ceramic <i>Ojo Ceramico Chico</i>
VE15-06	Not Applicable	A-18357	Lock Washer, Spring, 3/8", Z/P <i>Arandela Regular de Seguridad, 3/8"</i>
VE15-07	Not Applicable	A-18358	Nut, Hex , 3/8" Z/P <i>Tuerca Hexagonal, 3/8"</i>
VE15-08	Not Applicable	A-18173	Bolt, Carriage, 3/8" X 9.5" <i>Perno, 3/8" x 9.5"</i>
VE15-09	Not Applicable	MV-1028CR	Holder, C Creel Hardwood Tube <i>Cartela de Madera Dura para Fileta "C"</i>
VE15-10	(119313A)	EE302240	Pad, Foam, 3.5" X 11" X 1" (89mm ID X 280mm OD X 25mm Thick) <i>Cojincillo de Espuma, 89mm ID X 280mm OD X 25mm Espeso</i>
VE15-10	119313A	EE302242	Pad, Foam, 2.25" x 11 x 1" Thick, (57mm ID X 279mm OD X 25mm Thick) <i>Cojincillo de Espuma, 57mm ID X 279mm OD X 25mm Espeso</i>
VE15-10	96500300	EE302243	Pad, Foam, 3.5" X 11" X 5/8" (90mm ID X 280mm OD X 15mm Thick) (White) <i>Conjincillo de Espuma, 90mm X 280mm X 15mm Espeso (Blanco)</i>
VE15-10	119261B00	EE302244	Pad, Foam, 4.5" X 10 5/8" X 1 3/16" (115mm ID X 270mm OD X 30mm Thick) (White) <i>Cojincillo de Espuma, 115mm ID X 27mm OD X 30mm Espeso (Blanco)</i>
VE15-10	96500200	EE302245	Pad, Felt, 3.5" X 10 3/4" X 5/16" Thick (90X273X8mm) (Gray) <i>Cojincillo de Fieltro, 90X273X8mm (Gris)</i>
VE15-11	(215808) (119355)	EE304710	Creel Support Disc, E&C Fiber <i>Disco de Soporte de Fileta "E" y "C"</i>



Position	OEM Ref. Nos.	Epic No.	Description
VE15-11A	(215808) (119355)	EE304710-2	Disc, Creel, White Plastic, 1/4" Thick X 11" O.D. X 25/64 I.D. <i>Disco de Soporte de Fileta, 1/4" X 11" O.D. X 25/64 I.D.</i>
VE15-12	MV-1025CR		Oval Handle <i>Ovalada Asa</i>
VE15-13	Not Applicable	MV-1020CR	EyeBolt, C Creel <i>Perno en Forma de Ojo para Fileta "C"</i>
VE15-14	MV-1023CR		Spring Bracket <i>Resorte Soportes</i>
VE15-15	Not Applicable	MV-1019CR	Spring, C Creel Extension <i>Resorte de Extension para Fileta "C"</i>
VE15-16	Not Applicable	A-18358	Nut, Hex , 3/8" Z/P <i>Tuerca Hexagonal, 3/8"</i>
VE15-17	(22513001) (555024A)	A-18356	Washer, Regular Flat 3/8", Plated <i>Arandela Plana, 3/8"</i>
VE15-18	MV-1013CR		Latch Reset Pin <i>Picaporte Perno</i>
VE15-19	Not Applicable	MV-1026CR	U-Bolt, C Creel <i>Perno en Forma U para fileta "C"</i>
VE15-20	MV-1024CR		U-Bolt Plate <i>Tornillo "U" Placa</i>
VE15-21	Not Applicable	A-18357	Lock Washer, Spring, 3/8", Z/P <i>Arandela Regular de Seguridad, 3/8"</i>
VE15-22	Not Applicable	A-18358	Nut, Hex , 3/8" Z/P <i>Tuerca Hexagonal, 3/8"</i>
VE15-23	MV-1015CR		Latch Release Lever <i>Picaporte Soltar Palanca</i>
VE15-24	MV-1016CR		Handle <i>Asa</i>
VE15-25	MV-1010CR		Package Arm Bracket <i>Paquete Brazo Cartela</i>
VE15-26	Not Applicable	MV-1014CR	Spring, C Creel Small Latch <i>Resorte chico para Picaporte de Fileta "6"</i>
VE15-27	MV-1002CR		Mounting Rail <i>Montage Reil</i>
VE15-27	MV-1003CR		Mounting Rail <i>Montage Reil</i>
VE15-28	Not Applicable	MV-1032CR	Bolt, C Creel Shoulder <i>Perno para Cartela para Fileta "C"</i>



Position	OEM Ref. Nos.	Epic No.	Description
VE15-29	MV-1018CR		Pin, Spring Mounting for C Creel <i>Espiga De Montage Para Resorte en Fileta "C"</i>
VE15-30	Not Applicable		External Retaining Ring, 9/16" <i>Anillo de Retencion Exterior, 9/16"</i>
VE15-31	A-18462		Screw, Hex Head Cap, 3/8"X3" <i>Tornillo Hexagonal, 3/8"X3"</i>
VE15-32	Not Applicable	A-18357	Lock Washer, Spring, 3/8", Z/P <i>Arandela Regular de Seguridad, 3/8"</i>
VE15-33	Not Applicable	A-18358	Nut, Hex , 3/8" Z/P <i>Tuerca Hexagonal, 3/8"</i>
VE15-34		MV-1011CR	
VE15-35	MV-1012CR		Latch Sleeve <i>Manga del pasador</i>
VE15-36	Not Applicable	EE401830-1V	Double Tension Device (Capsules not included) <i>Dispositivo de doble tensión (no se incluyen las cápsulas)</i>
VE15-37	MV-1004CR		Tension Support Tube <i>Tubo de soporte de tensión</i>

The Epic "C" Style Overhead Creel is a well-proven design with many hundreds of positions in service. All creels are equipped with hardened, positive detent safety latches. Epic's EE401830-1 Double Tension Device can be mounted on the end of the MV-1004CR (VE15-17) Tension Support Tube which is supplied with the creel but is not shown in the schematic.

La filete tipo C sobrecabeza de Epic, es una modelo probado con varios cientos en operación. Todas las filetas están equipadas con pasadores de seguridad endurecidos. El dispositivo de doble tensión de Epic puede ser instalado en el extremo del tubo de soporte de tensión MV-1004CR (VE15-17) que se provee con la fileta pero que no se muestra en el diagrama.

Epic products are intended as replacements for worn or damaged parts in OEM products. OEM Part numbers in (parenthesis) indicate either 1) Improved design 2) the part serves the same function as the OEM part, but may differ from the OEM design, or 3) it is a component of an assembly where no OEM reference number is available, or 4) it is a repair service for the referenced OEM part.

Parts with EE designations are manufactured by Epic and are not authorized by the original equipment manufacturers.

The information herein falls within the normal range of product properties and is based on typical usage results within the industry of the products. Epic assumes no obligation or liability for any advice or information supplied by Epic. The user assumes all responsibility for determining the results and suitability of the products within the user's plant. All such information is provided gratis and user assumes sole responsibility for results obtained.

Volkman is a trademark of Saurer AG. Verdol is a trademark of ICBT.

EE is an Epic trademark designating Epic parts.

Verdol is a trademark of Rieter/ ICBT

© Epic Enterprises, October 2005

